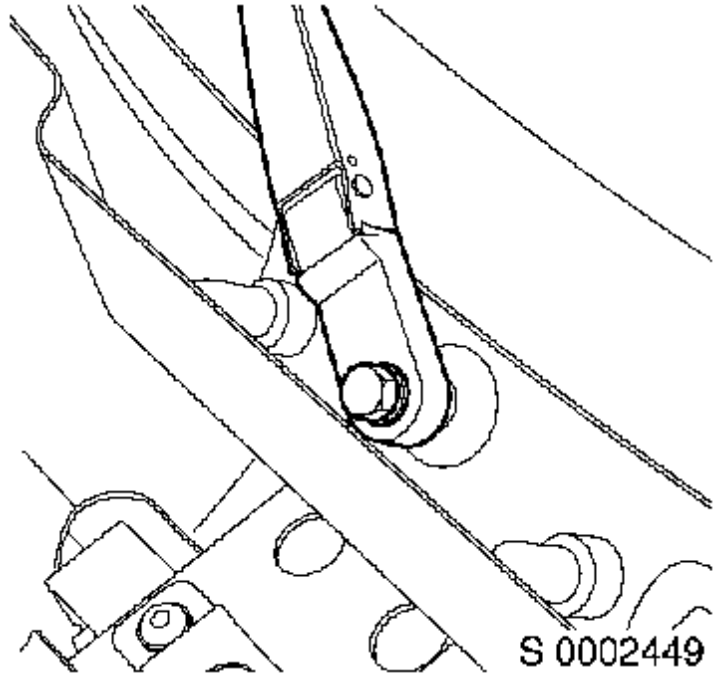


## Windscreen, Replace

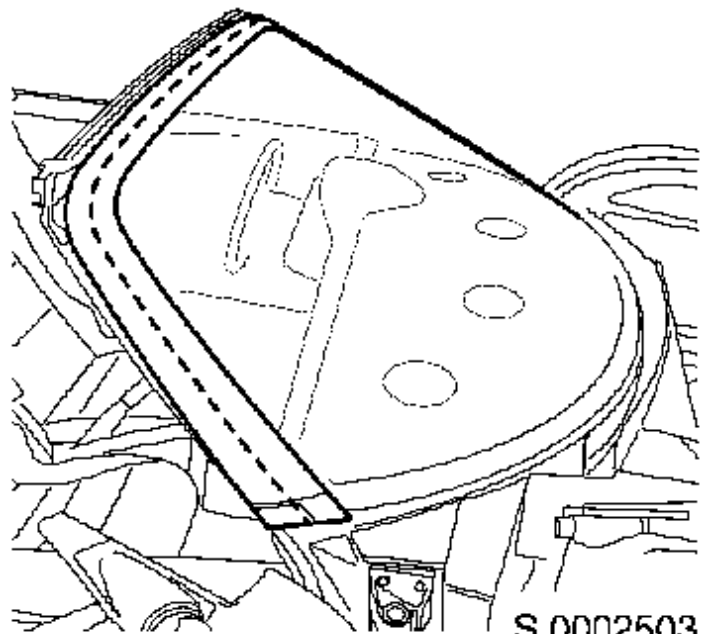
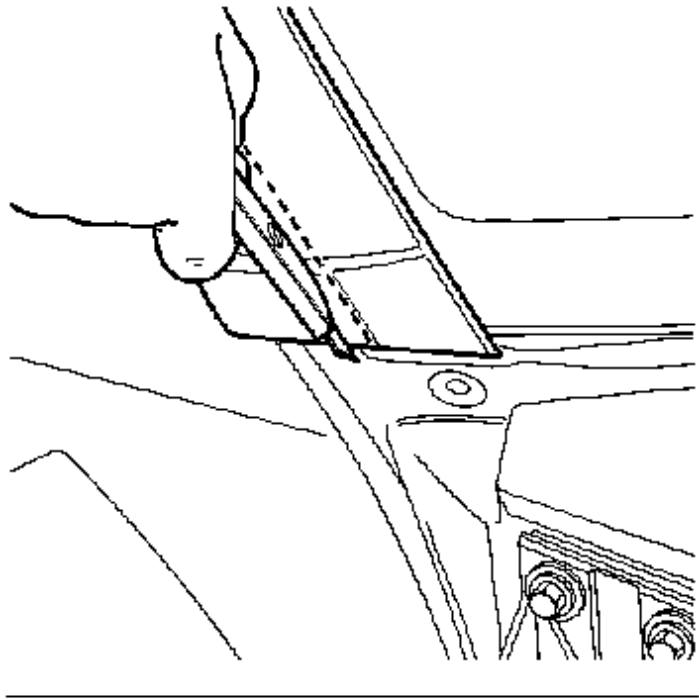


### Remove

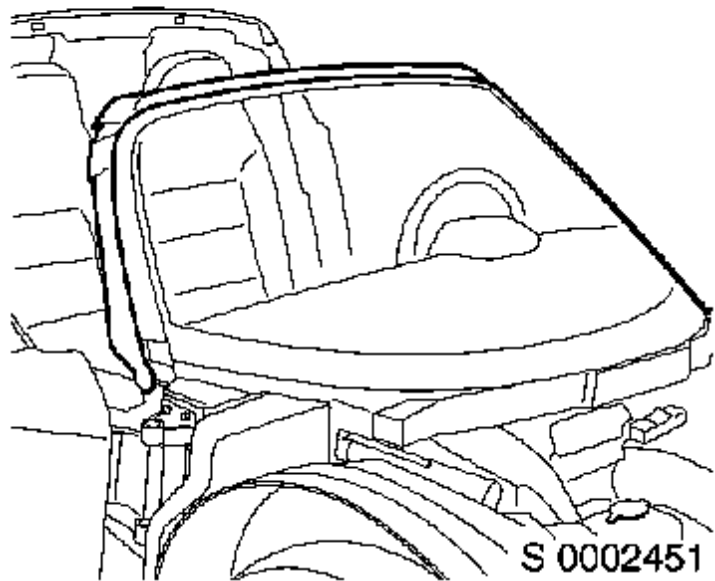
1. Open doors and windows
2. Remove roof from vehicle - see owner's manual
3. Remove front clamshell - see operation "Front Clamshell, Remove and Install"
4. Remove wiper arm from wiper linkage
  - Remove cap
  - Remove bolt, washer



5. Install a protective cover to instrument panel
6. Remove interior rear-view mirror from windscreen
  - Remove interior rear-view mirror from retaining plate
    - Remove screw
  - Remove retaining plate from windscreen
    - Apply pressure to rear of retaining plate, taking care not to damage retaining plate
  - Remove adhesive from retaining plate
7. Remove exterior trim from windscreen, then discard trim
  - Cut plastic **10 mm** from glass edge
    - Use sharp knife
    - Note:** To allow access of cutting wire

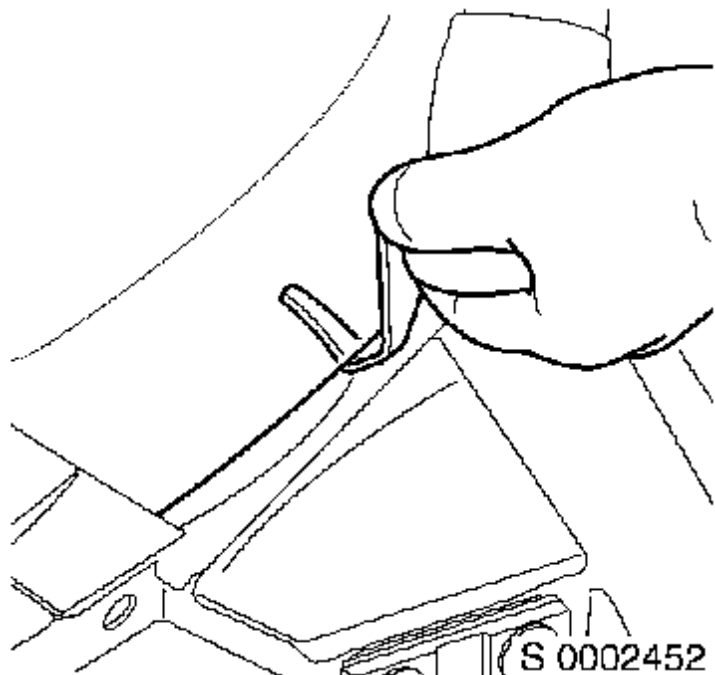


8. Apply masking tape along entire length of weatherstrip  
**Note:** To prevent damage to weatherstrip



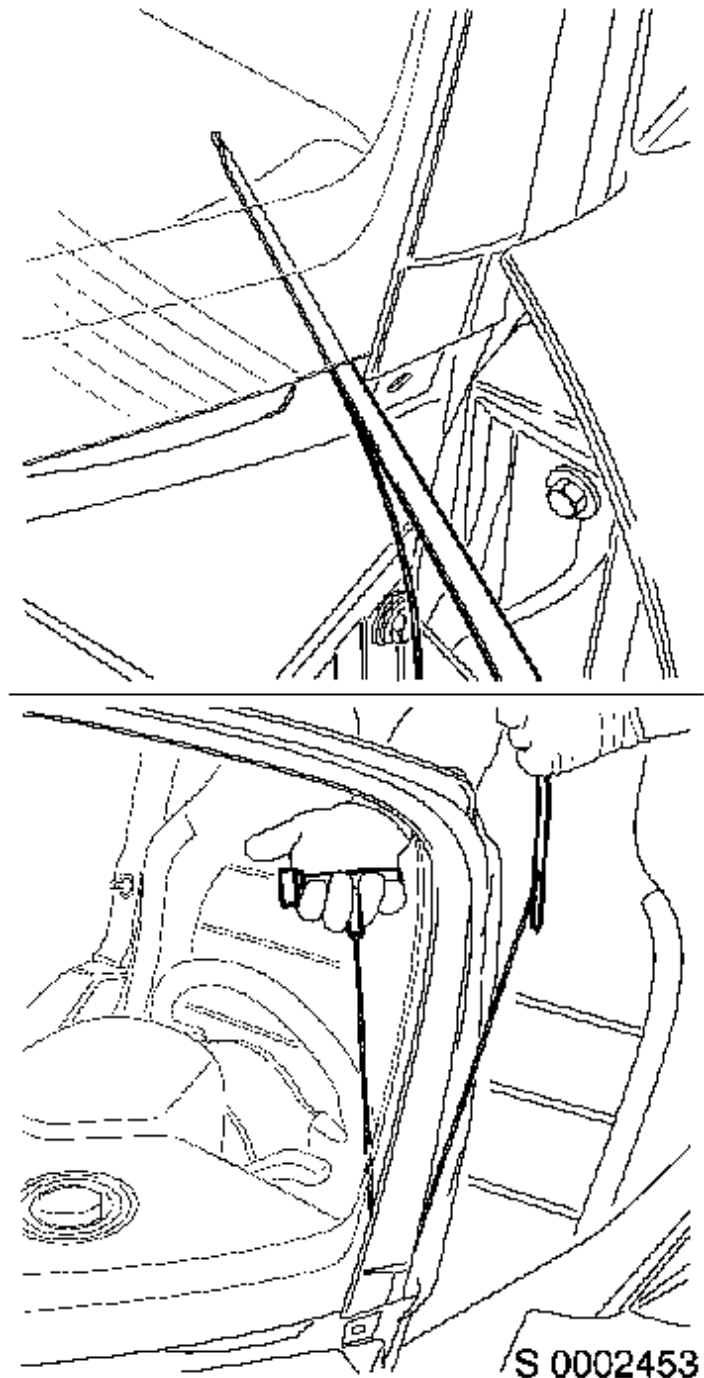
**Warning:** Wear eye protection when using cutting tools

9. Release exterior lower edge of windscreen from windscreen frame
  - Use Oscillating Knife **MKM-846-1P** in conjunction with Blade **MKM-846-6**



**Warning:** Wear eye protection when using cutting tools

10. Release windscreen from windscreen frame
  - Use Cutting Wire **KM-2063**
    - Insert one end of **KM-2063** through lower edge of windscreen using suitable tool, taking care not to damage instrument panel

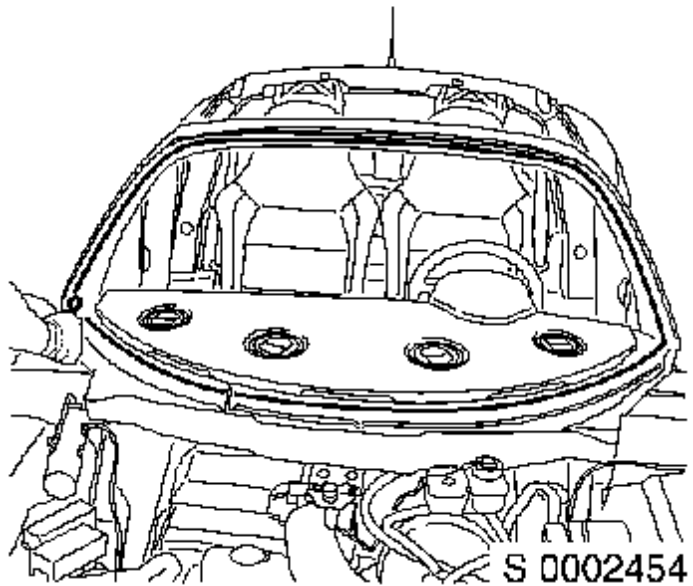


11. Remove windscreen from windscreen frame
  - Use 2x Suction Lifter **MKM-641**
12. Remove residual sealant from windscreen frame to approx. **1 mm** thickness
  - Use suitable scraper
13. Check heater housing for glass splinters and remove if necessary
14. Clean sealing surface of windscreen frame

**Install**

15. Apply primer to sealing surface of windscreen frame and new windscreen

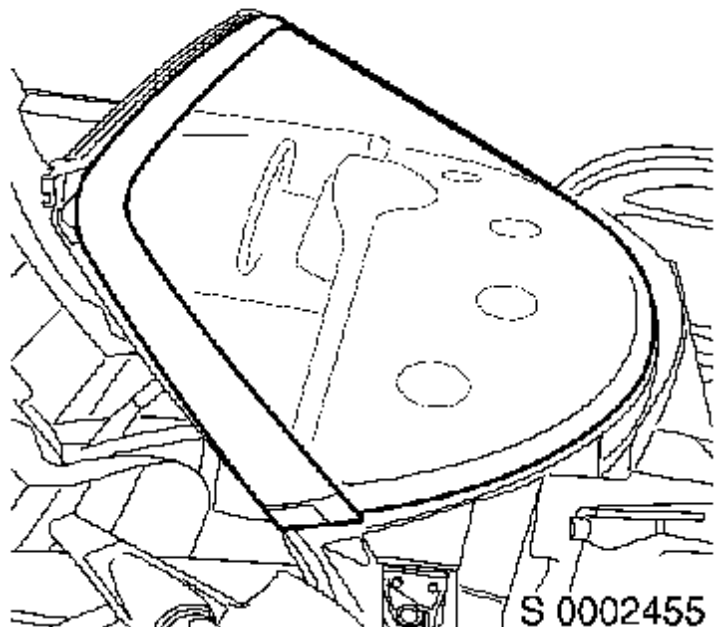
- Use suitable bonding kit
  - Note:** Primer should be left to dry for 15 minutes before new windscreen is fitted to the vehicle



16. Remove masking tape from weatherstrip
17. Apply sealant to sealing surface of windscreen frame
  - Use bonding kit
  - Use suitable applicator
    - Apply sealant evenly to centre of windscreen frame flange, keeping flow level and constant
18. Install 2x Suction Lifter **MKM-641** to outside of windscreen

**Important:** Ensure doors are open before installing windscreen, to allow installation of windscreen

19. Install windscreen to windscreen frame
  - Apply gentle pressure to windscreen to ensure correct sealing of windscreen to windscreen frame



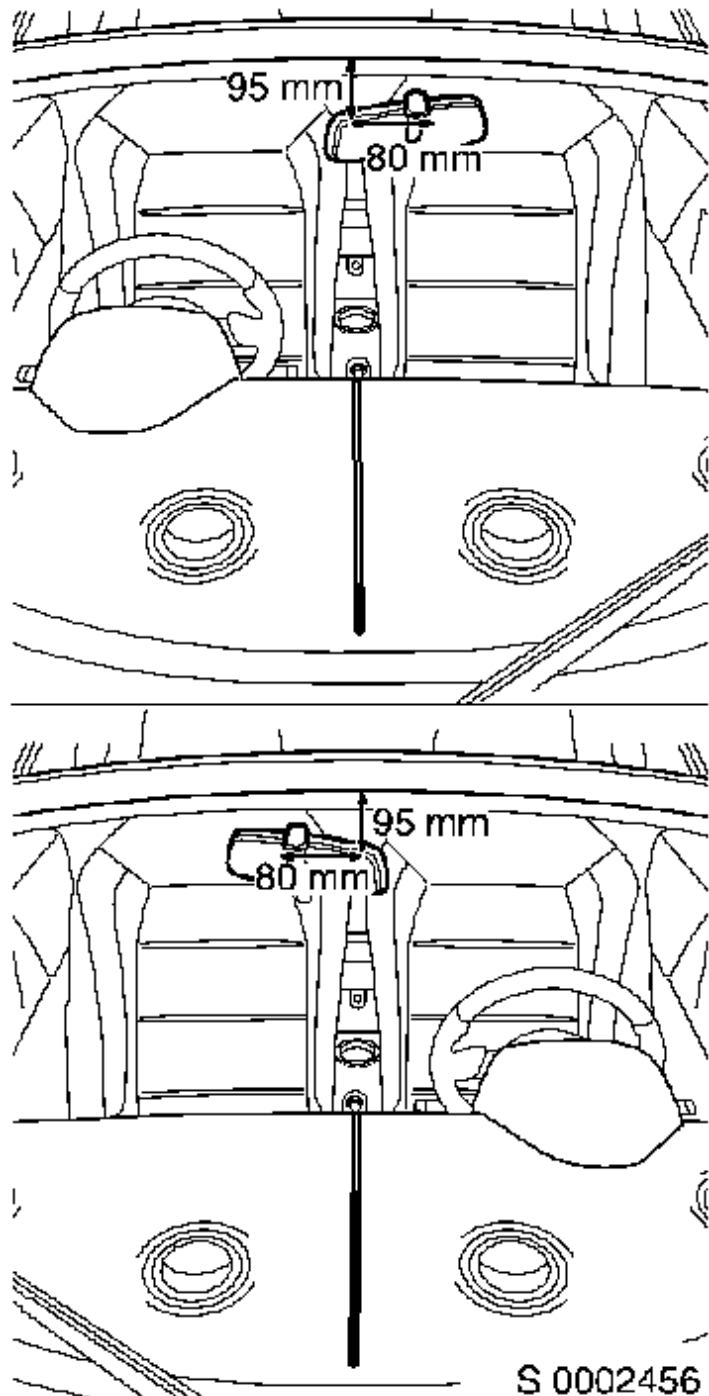
20. Remove 2x Suction Lifter **MKM-641** from windscreen
21. Remove protective cover from instrument panel
22. Install wiper arm to wiper linkage
  - Install washer, bolt

- Install cap

23. Clean windscreen and windscreen trim

24. Install interior rear-view mirror to windscreen

- Measure a distance of **95 mm** down centre of windscreen from lower edge of windscreen trim inside vehicle
  - Measure a distance of **80 mm** horizontally from centre line to passenger's side
  - Install retaining plate to windscreen
    - Use special adhesive
  - Install interior rear-view mirror to retaining plate
    - Install screw
- Note:** Position of retaining plate for interior rear-view mirror on windscreen is dependant on left or right drive vehicle



25. Install front clamshell - see operation "Front Clamshell, Remove and Install"

26. Install roof to vehicle - see owner's manual